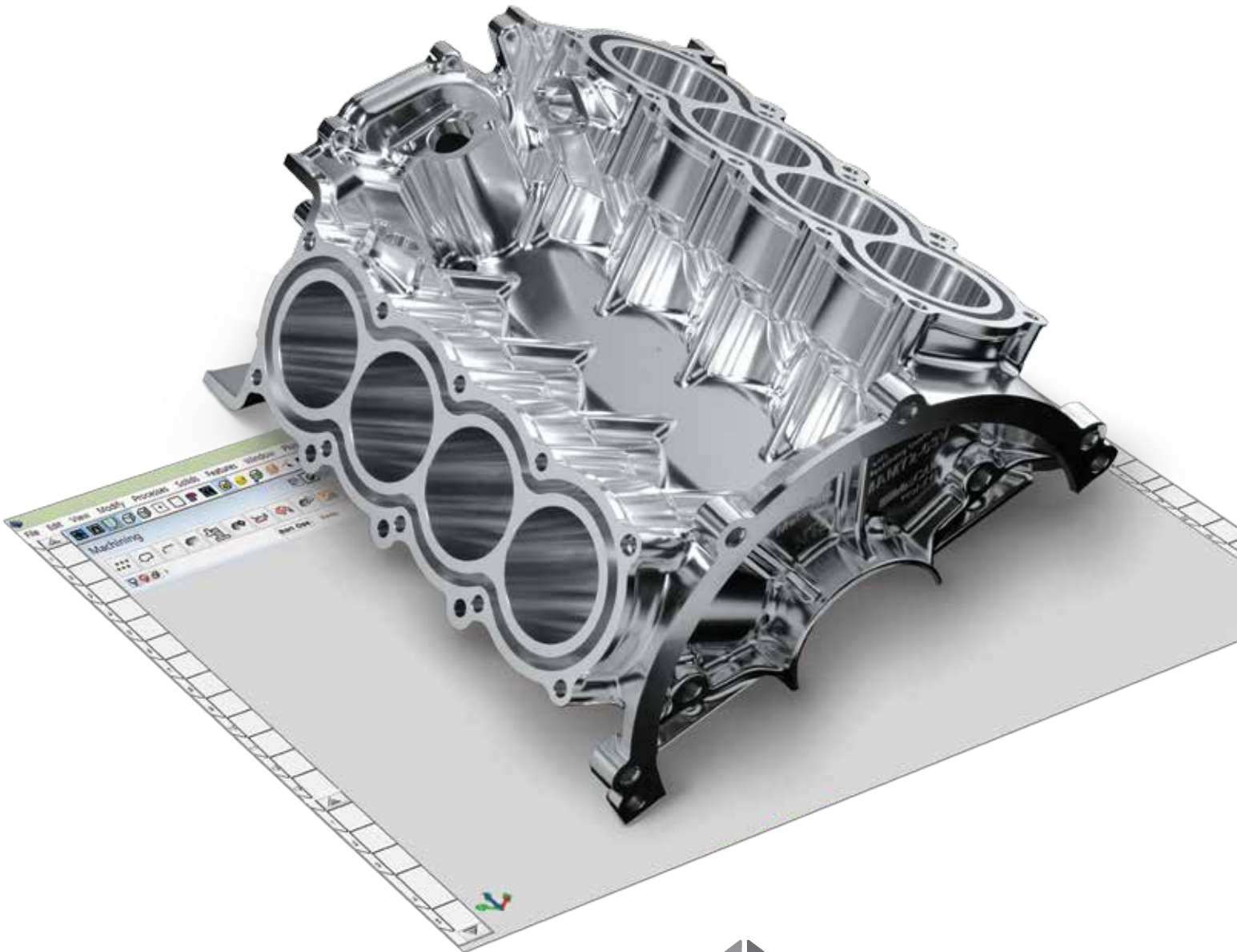




CAM for Machinists

Powerfully Simple. Simply Powerful.





Powerfully Simple. Simply Powerful.

Powerful

Programs all of your CNCs to machine simple and complex parts

Easy

Consistent and intuitive shop-friendly graphic interface for quick learning and fast navigation

Flexible

Provides multiple ways for CNC programmers to approach machining operations

Productive

Faster programming, faster machining, and higher throughput

Grows with You

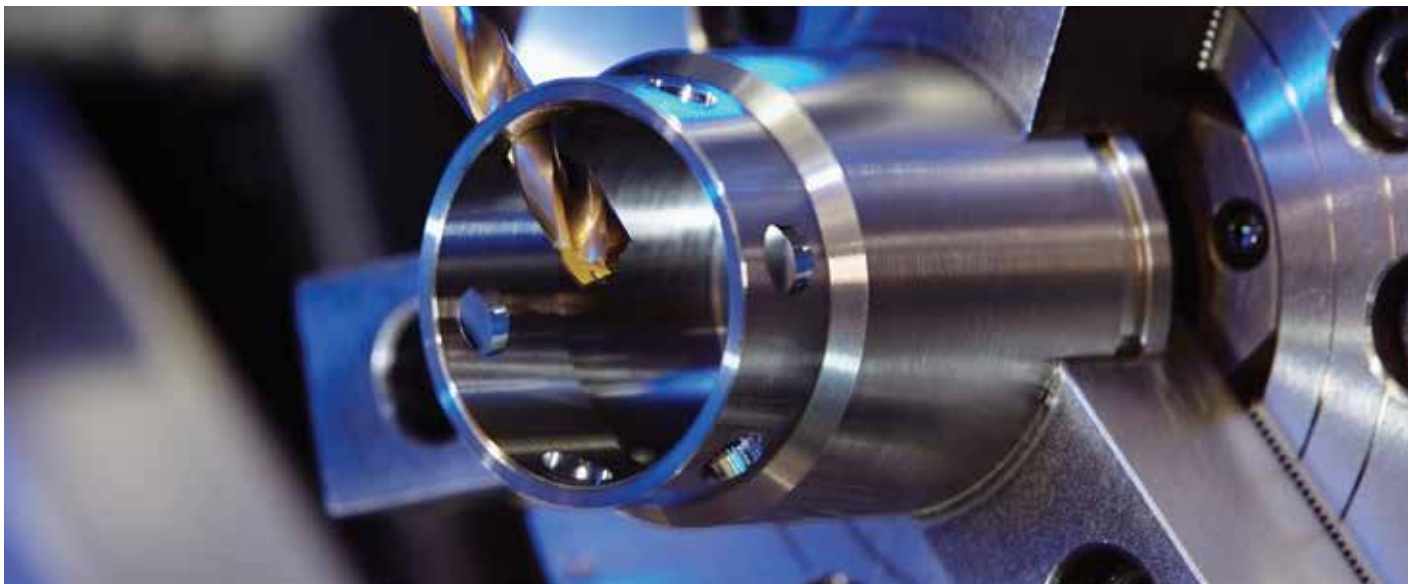
GibbsCAM stays current with the latest machine tool technology. You won't need another CAM system when you get new machines, and you can add options to increase functionality as you need them.

Lower Programming Cost

Beyond a flat interface that eliminates wasted menu-seeking user actions, GibbsCAM provides many automated features to streamline the CNC programming process.

Accuracy and Speed

GibbsCAM gets more programs done faster with higher accuracy, better reliability, and faster cycle times. You'll spend less time testing and proving programs on machine and get more parts out the door.

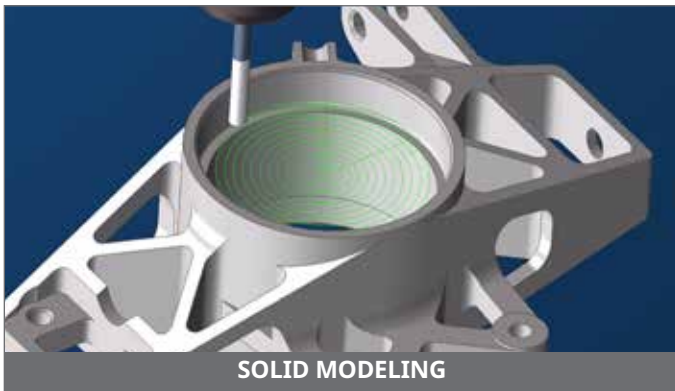




Designed to Simplify

GibbsCAM is designed to simplify the complex. It has a **modeless, graphical interface** that lets the user perform any function at any time, without pursuing an endless hierarchy of menus. Users can quickly jump from toolpath verification to part design or tool definition and back. Icons that reflect shop procedures make operations easy to identify and fast to navigate. These features make learning fast and easy for the new user and highly efficient for the experienced.

The **user interface is consistent** across the product line. This means that when you add capabilities for new machine types or machining processes, the look and navigation does not change. So, programmers and machinists get productive with new modules quickly.



SOLID MODELING

GibbsCAM reads all **CAD data formats** with a streamlined interface for the most common file formats. Its wireframe and solid modeling tools simplify preparation of part models for machining. Add-ins enable transferring CAD data directly into

GibbsCAM, without leaving the CAD environment, for smooth interactivity.

GibbsCAM includes **solid modeling** since part models often need preparation for machining. Whether to remove hole features from contours, add features for work holding, or develop fixtures or soft jaws directly from a part, GibbsCAM includes all the tools machining requires.



TOOLPATH SIMULATION

The software maintains **associativity** between part features, processes, and tools used to machine them, to enable fast changes. When a part feature is changed, the machining process and toolpath are automatically updated to reflect that change.

Toolpath simulation and verification, with collision detection, are standard. Programmers can see tool motion, the surface finish tools are leaving, and whether a tool is gouging the part or cutting into fixtures.



GibbsCAM's integrated **machine simulation** reduces errors and on-machine prove out. Especially valuable for complex machines and tight work envelopes, it executes the toolpath on a model of the machine tool, showing stock, fixtures and all the moving components of the machine, as it checks for gouging and collisions.



Post Processors are available from a huge and growing library, and custom post processors can be developed to your specific needs.

GibbsCAM's worldwide network of Resellers provide fast, personalized **technical support** to ensure your production is continuous and your productivity is uncompromised.

Network licensing options are always available for companies where CNC programming is distributed among offices or where programming is done by machinists across the shop floor or across the world.

And because we are so confident in delivering a quality product that accommodates the most difficult machining requirements and meets your needs with a reliable, friendly interface, we provide a **30-day, money back guarantee**.



Make it Usable

Make it Powerful

Make it Reliable

But Make it for the Machinist

From its inception, GibbsCAM was designed for people whose expertise is making parts with machines. We assumed the user would not be a computer expert and would never need to be one. We assumed our users would have to get jobs done fast, done right, and done without errors. And we assumed they would need to move jobs through the shop efficiently.

Whether CNC programmer, machinist or manufacturing engineer, the user will find a friendly interface. Terminology is familiar. Icons make sense. The process is logical. Our goal was to simplify the programming task, to make it easy, make it flexible, make it fast, and make it reliable. Without sacrificing capability, we believe we achieved that goal.

GibbsCAM has the power to drive all your CNC machines to make parts the way you want. Your programmers access it through a consistent, shop friendly interface that is easy to navigate. You get productivity without complexity.



“GibbsCAM just makes sense. It was so easy to learn and gives me a lot of different ways to do things. I’m making parts now that I never could have done before. It’s amazing.”

Esdras Girón,

ABEN Machine Products
Shop Owner, Manufacturing Engineer,
CNC programmer

One Interface
Multiple Uses

GibbsCAM Grows With You

GibbsCAM is organized as a single application. When you add options, we don't force you to learn a new interface. Instead, all options are integrated into the familiar, friendly interface. The software is configured for your initial requirements and expanded as your needs grow. We protect your investment in both software and training.

Base Packages

- » **Milling:** 2-, 2.5- and 3-axis milling
- » **Turning:** 2-axis turning
- » **Mill-Turn:** Live tooling, including support of X, Y, Z, C and B axes

Options

- » **2.5D Solids:** Simple solid modeling and solids-based machining of 2-, 2.5- and simple 3-axis parts
- » **3D Milling:** Advanced surface and solid modeling plus 3-axis surface machining
- » **Polar & Cylindrical Milling:** Drive one rotary and two linear axes on machines with a rotary axis
- » **Radial Milling:** Drive one rotary and three linear axes with off-centerline "Y-axis" milling and wall angle control
- » **5-Axis:** 5-axis simultaneous milling of surfaces and solids
- » **5-Axis MultiBlade:** Specialized interface for machining bladed turbo-machinery parts (impellers, rotors, blisks and blings)
- » **5-Axis Porting:** Specialized interface for machining engine ports and similar through-part openings
- » **Multi-Task Machining (MTM):** Turning and milling with multiple spindles and tool groups
- » **VoluMill™ for GibbsCAM:** Adds powerful high speed roughing with volumetric material removal to GibbsCAM milling
- » **Tombstone Management System:** Multi-part layout and programming for tombstone fixtures
- » **Machine Simulation:** Build machine models and simulate machine tool motion
- » **Wire EDM:** 2- through 4-axis Wire EDM



3D Systems provides comprehensive 3D products and services, including 3D printers, print materials, on-demand parts services and digital design tools. Its ecosystem supports advanced applications from the product design shop to the factory floor to the operating room. As the originator of 3D printing and a shaper of future 3D solutions, 3D Systems has spent its 30 year history enabling professionals and companies to optimize their designs, transform their workflows, bring innovative products to market and drive new business models. Specifications subject to change without notice. 3D Systems, the 3D Systems logo, GibbsCAM, Gibbs, Virtual Gibbs and "Powerfully Simple. Simply Powerful." are trademarks of 3D Systems, Inc. All other trademarks are the property of their respective owners.